

FlexiDesign
1 - 26 m³

Robust design

Heavy-duty

Long service life

Low operating costs



- cooking
- sterilisation
- hydrolysis
- drying



EN 13445 • AD 2000 Merkblatt HP0 • ISO 9001 • ISO 3834-2

BATCH COOKER **DM** / STERILIZER **SM** / HYDROLYZER **HM**

Made of quality **stainless**
and **carbon** steels or their combination

Internal volume **1 - 26 m³**

Easy **serviceability**
thanks to sophisticated design

Spare parts and consumables
for the **entire service life**

Wide range of accessories

Repair and support **services**

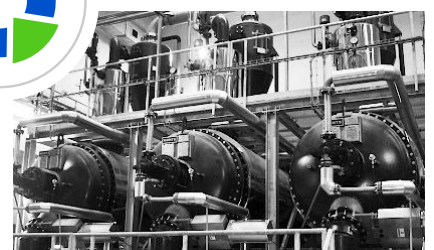
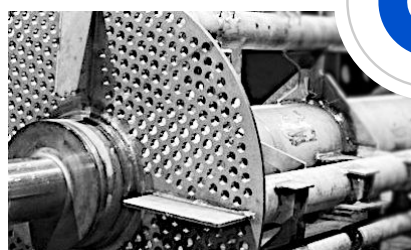
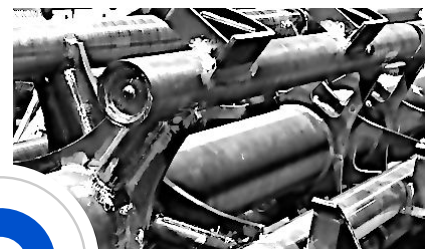
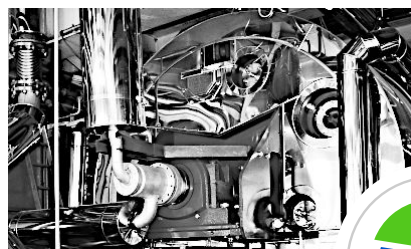
Tradition and long experience in the industry

Made in the **Czech Republic** from
high quality **European materials**



Application:

- **animal by-products**
(offal, blood, fat tissue, bones, skin, fish parts, etc.)
- **biogas plant inputs**



 monts.cz

 +420 494 940 321

 sales@monts.cz



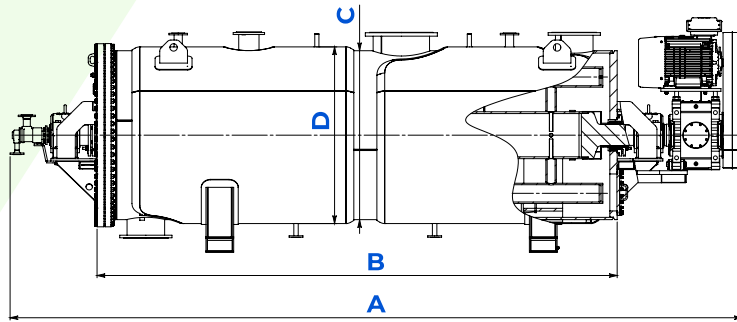
Services:

We can help complete your project from the first plans **all the way** through to commissioning.

Our **support** is at your disposal for the **entire machine's lifetime**.

- 🔧 Design
- 🛡️ Extended WARRANTY
- 🔧 Installation
- 🛡️ SECURITY Program
- 👤 Training
- 📦 Spare parts
- 🚚 Repairs
- 🔍 Inspections

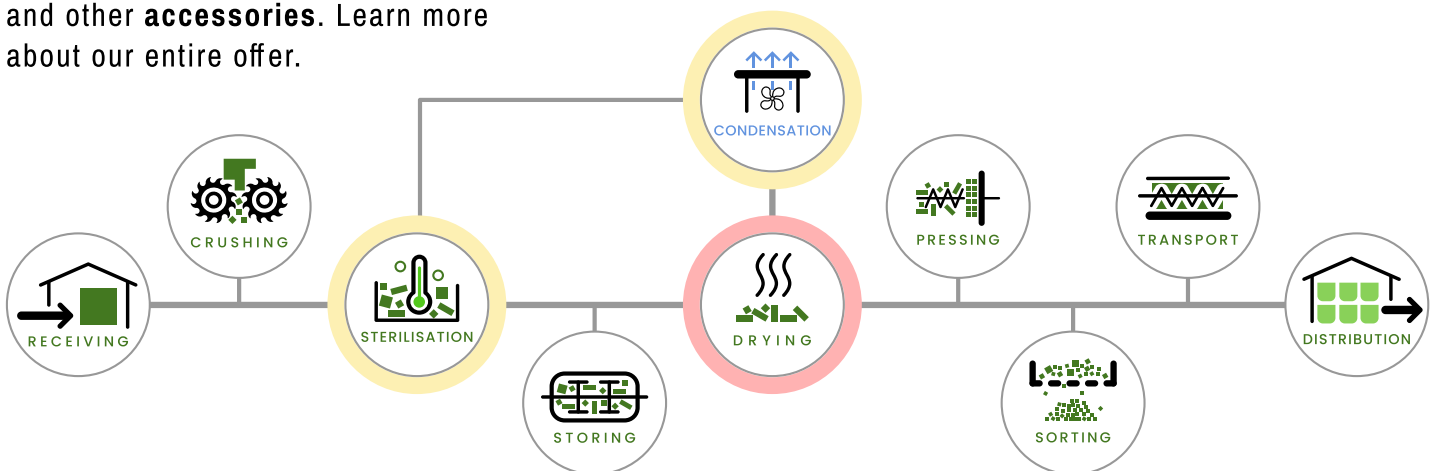
Standard dimensions of the batch cooker / sterilizer / hydrolyzer **DSHM**:



Parameter	Unit	DSHM1	DSHM2	DSHM3	DSHM5,5	DSHM8	DSHM10	DSHM12	DSHM16	DSHM20	DSHM26
Internal volume	m ³	1	2	3	5,5	8	10	12	16	20	26
Motor power	kW	15	18,5	22,5	30	45	55 (45)	55 (45)	75	90	132
Weight	kg	2 000	5 600	8 500	10 000	11 500	14 000	21 500	27 650	30 000	44 500
Total length (A)	mm	3 350	4 650	5 800	6 300	7 200	8 200	8 600	8 800	9 800	11 000
Shell length (B)	mm	2 070	2 800	3 600	3 500	5 000	5 500	6 100	6 200	6 900	7 380
Shell diameter (C)	mm	1 000	1 200	1 200	1 600	1 600	1 660	1 660	2 000	2 060	2 215
Double shell (D)	mm	1 070	1 270	1 270	1 670	1 670	1 745	1 745	2 085	2 145	2 300

Comprehensive solutions MONTs

We have equipment for **every part** of the production process. We also supply **pipng**, supporting **structures** and other **accessories**. Learn more about our entire offer.



MONTs.cz

Vazni 1147
500 03 Hradec Kralove
Czech Republic

VAT ID: CZ25949969
DataID: 373vWymt

Customer service hotline

+420 494 940 321

sales@monts.cz

