

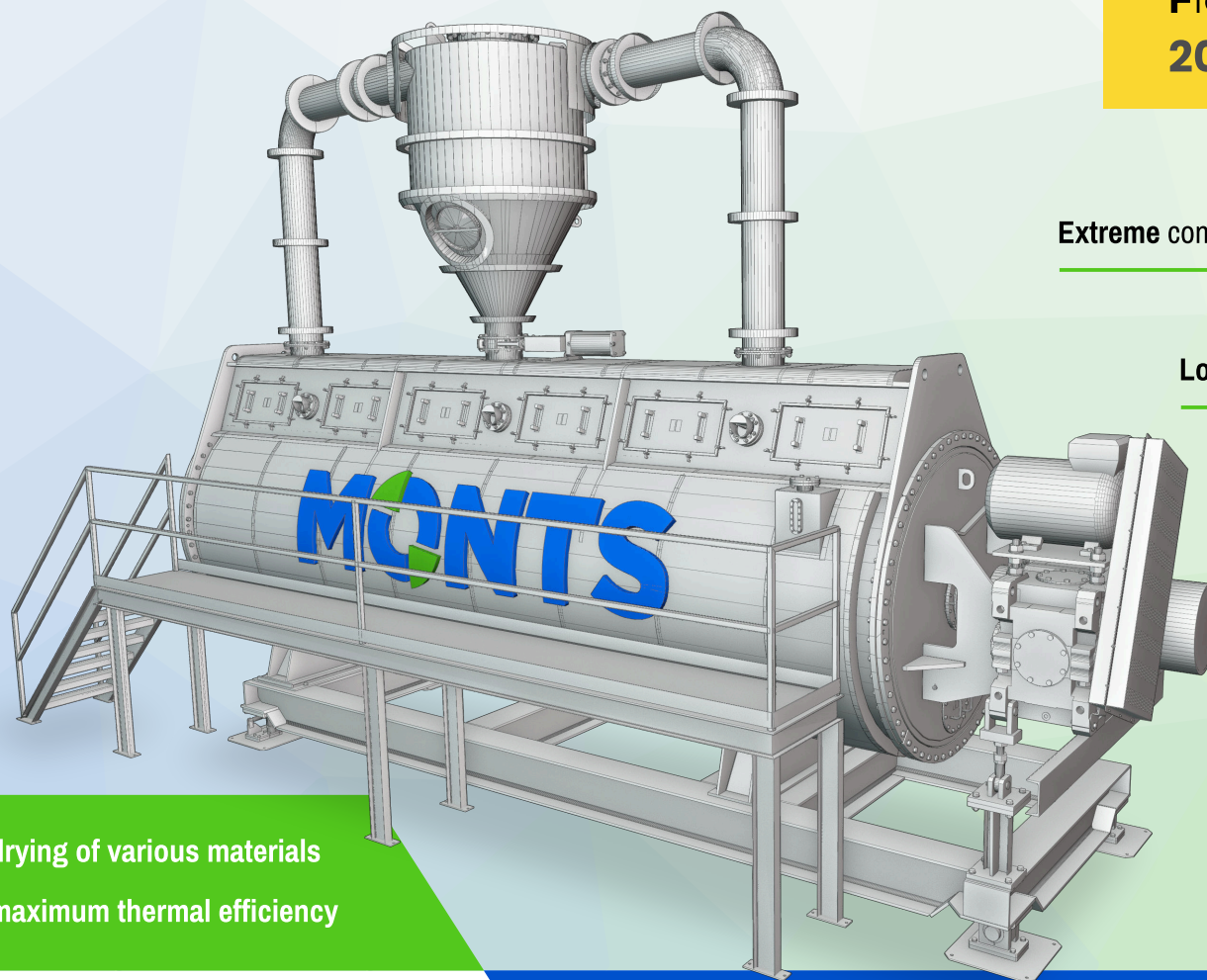
FlexiDesign
20-500 m²

Robust design

Extreme conditions resistance

Long service life

Low operating costs



- drying of various materials
- maximum thermal efficiency

EN 13445 • AD 2000 Merkblatt HP0 • ISO 9001 • ISO 3834-2

CONTINUOUS DISC DRYER **KDM**

Made of quality **stainless**
and **carbon** steels or their combination

Heating surface **20 - 500 m²**

Easy **serviceability**
thanks to sophisticated design

Spare parts and consumables
for the **entire service life**

Wide range of **accessories**

Repair and support **services**

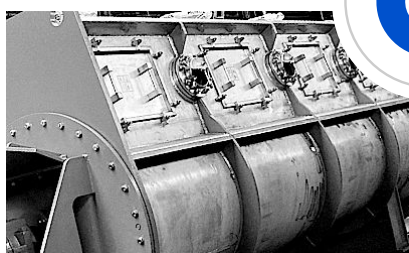
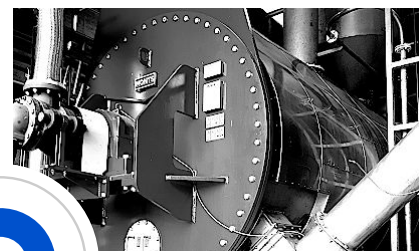
Tradition and long **experience** in the industry

Made in the **Czech Republic** from
high quality **European materials**



Application:

- **animal by-products**
(offal, blood, fat tissue, bones, skin, fish parts, etc.)
- **larvae** from insect protein farms
- industrial **sewage sludge** and other raw materials containing water



🌐 monts.cz

☎ +420 494 940 321

✉ sales@monts.cz



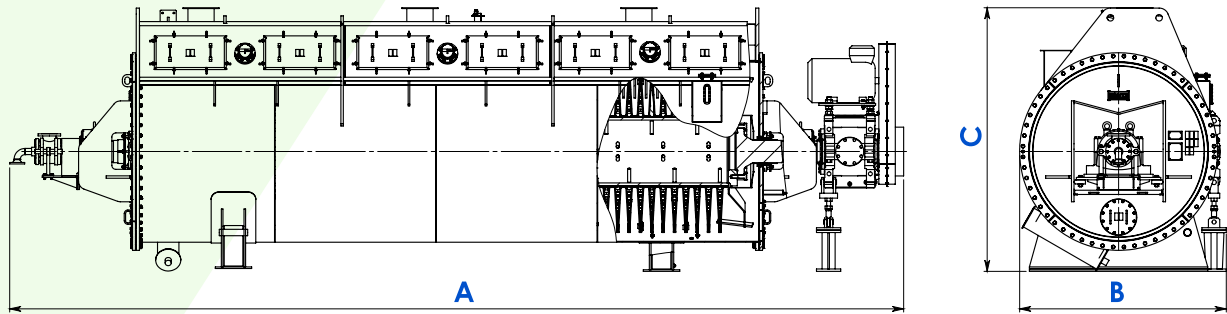
Services:

We can help complete your project from the first plans **all the way** through to commissioning.

Our **support** is at your disposal for the **entire machine's lifetime**.

- 🏗️ Design
- 🛡️ Extended WARRANTY
- 🔧 Installation
- 🛡️ SECURITY Program
- 👥 Training
- 📦 Spare parts
- 🚚 Repairs
- 🔍 Inspections

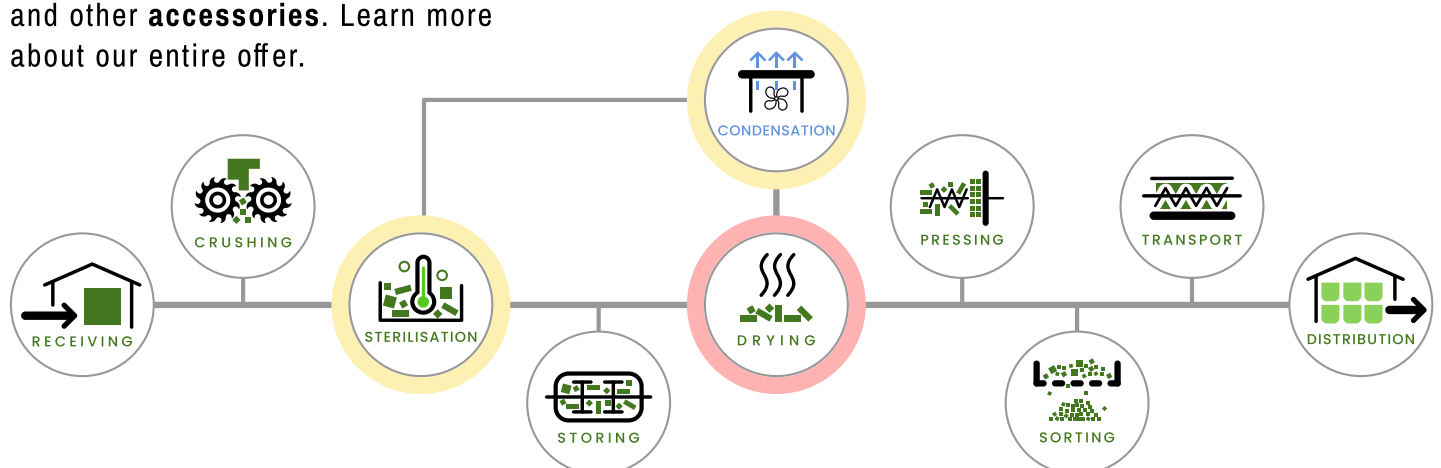
Standard dimensions of the continuous disc dryer **KDM**:



Parameter	Unit	KDM20	KDM50	KDM100	KDM200	KDM300	KDM450
Heating surface	m ²	20	50	100	200	300	450
Motor power	kW	15	30	45 - 55	55 - 90	90 - 110	130 - 200
Weight	kg	6 200	15 000	25 000	45 500	60 500	92 000
Length (A)	mm	5 000	6 000	8 000	10 700	12 400	13 000
Width (B)	mm	1 200	1 650	1 700	2 300	2 400	2 800
Height (C)	mm	1 900	2 500	2 500	2 800	3 300	4 000

Comprehensive solutions **MONTs**

We have equipment for **every part** of the production process. We also supply **pipings**, supporting **structures** and other **accessories**. Learn more about our entire offer.



MONTs.cz

Vazni 1147
500 03 Hradec Kralove
Czech Republic

VAT ID: CZ25949969
DataID: 373vWymt

Customer service hotline

+420 494 940 321

sales@monts.cz

